



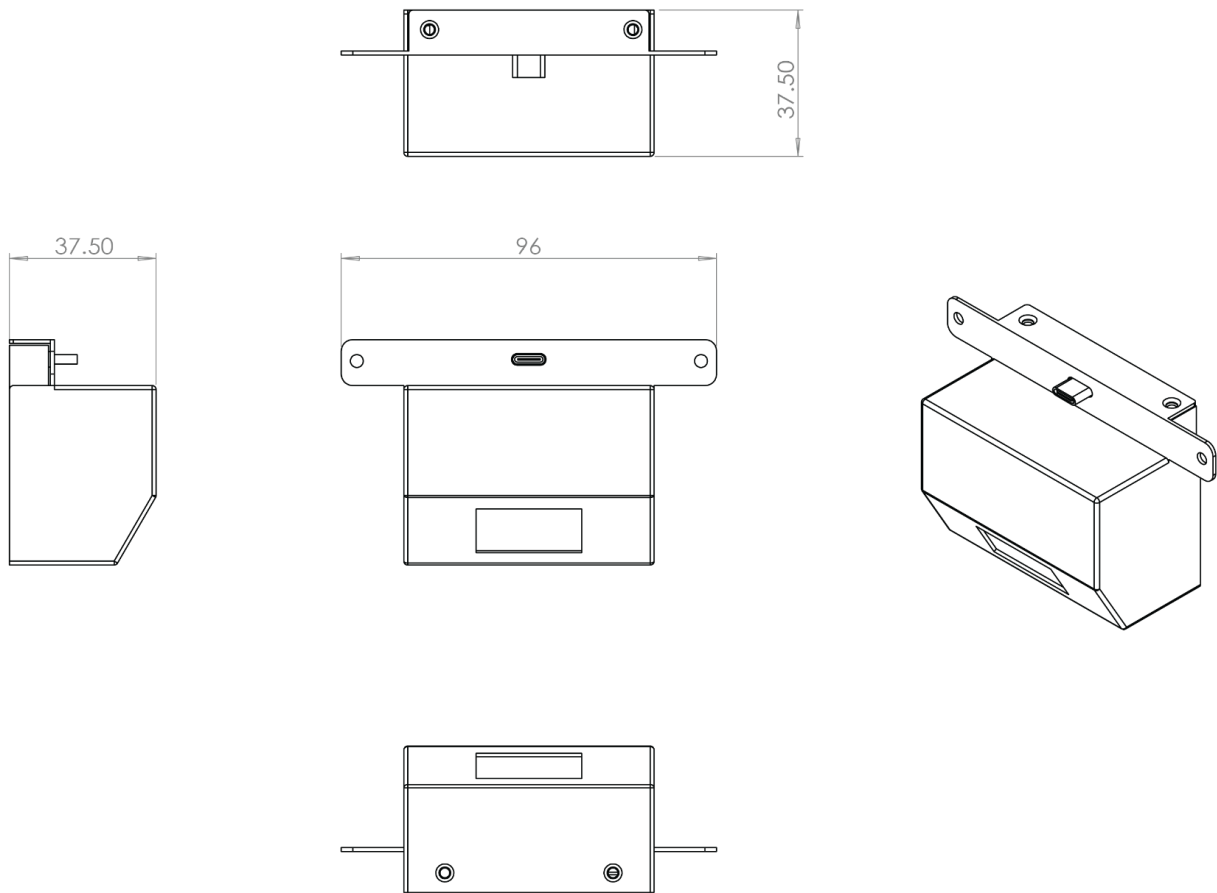
NEB1701 - 1D Barcode Scanner

The Newland Barcode is a 1D engine that provides flexibility to any kind of applications such as data collection and price checkers. Mostly used to open a browser upon scan or to open a page in an app. Glory Star provides a demo APK to support your software integration to our tablets, please go to our support page to download the demo APK. The barcode is easily installed by users, providing an integrated solution and eliminating the need for external brackets or attachments.

NEB1701 - 1D Barcode Scanner Specifications

Brand	Newland
Enclosure color	Black
Sensor model	NLS-EM1365-LD
Support to	NEB101 Part#CT399
Support OS	Android 9.0
Interface	USB-C
Reader Type	1D barcode reader
Sensor	Linear Imager
Resolution	1500
Illumination & Aiming	LED (610nm ~ 640nm)
Ideal Scan Distance	Code 39 (5mil): 65mm~175mm EAN-13 (13mil): 55mm~605mm
Supported Symbologies	EAN-13, EAN-8, UPC-A, UPC-E,ISSN, ISBN, Codabar, Code 128, Code 93, ITF-6, ITF-14,Interleaved 2 of 5, Industrial 2 of 5, Standard 2 of 5, Matrix 2 of 5,GS1 Databar, Code 39, Code 11, MSI-Plessey, Plessey
Field of view	/
Beeper Output	Yes
Ambient Light	0~100000 lux
Operating Voltage	60mA
Standby Voltage	25mA
Operating Temperature	-20°C ~ + 55°C
Humidity	5% - 95% (non-considering)
Product Weight	140g
Dimensions	96 x 64 x 37.5mm
Gift Box Weight	170g
Gift Box Dimensions	140 x 83 x 44mm
What's in the Box	1D barcode reader, 2 Screws

2D Diagram



CONTACT US

United States	Hong Kong	Europe
Representative Office 1440 N. Harbor Blvd Suite 900 Fullerton, CA 92835 626 228 5927 sales@glorystargroup.com	Flat D, 5/F, Excelsior Building, 364 Nathan Road, Kowloon, Hong Kong 852 23762803 sales@glorystargroup.com	Weiherstrasse 2 8564 Hattenhausen Switzerland 44 20 3885 0392 (UK) 41 79 279 9798 (Switzerland) sales@glorystargroup.com

To find out more about our extensive range of Glory Star solutions, go to www.glorystargroup.com, or call the office nearest you. For more information, please contact us at sales@glorystargroup.com. Glory Star reserves the right to change or update, without notice, any information contained herein; to change, without notice, the design, construction, materials, processing or specifications of any products; and to discontinue or limit production or distribution of any products. Glory Star, the Glory Star logo, STAR CONTROL and STAROS are either trademarks or registered trademarks of Glory Star Group Limited. All other trademarks are the property of their respective owners.