



2D Barcode Scanner - Zebra

NEBA1702 PART#Z002

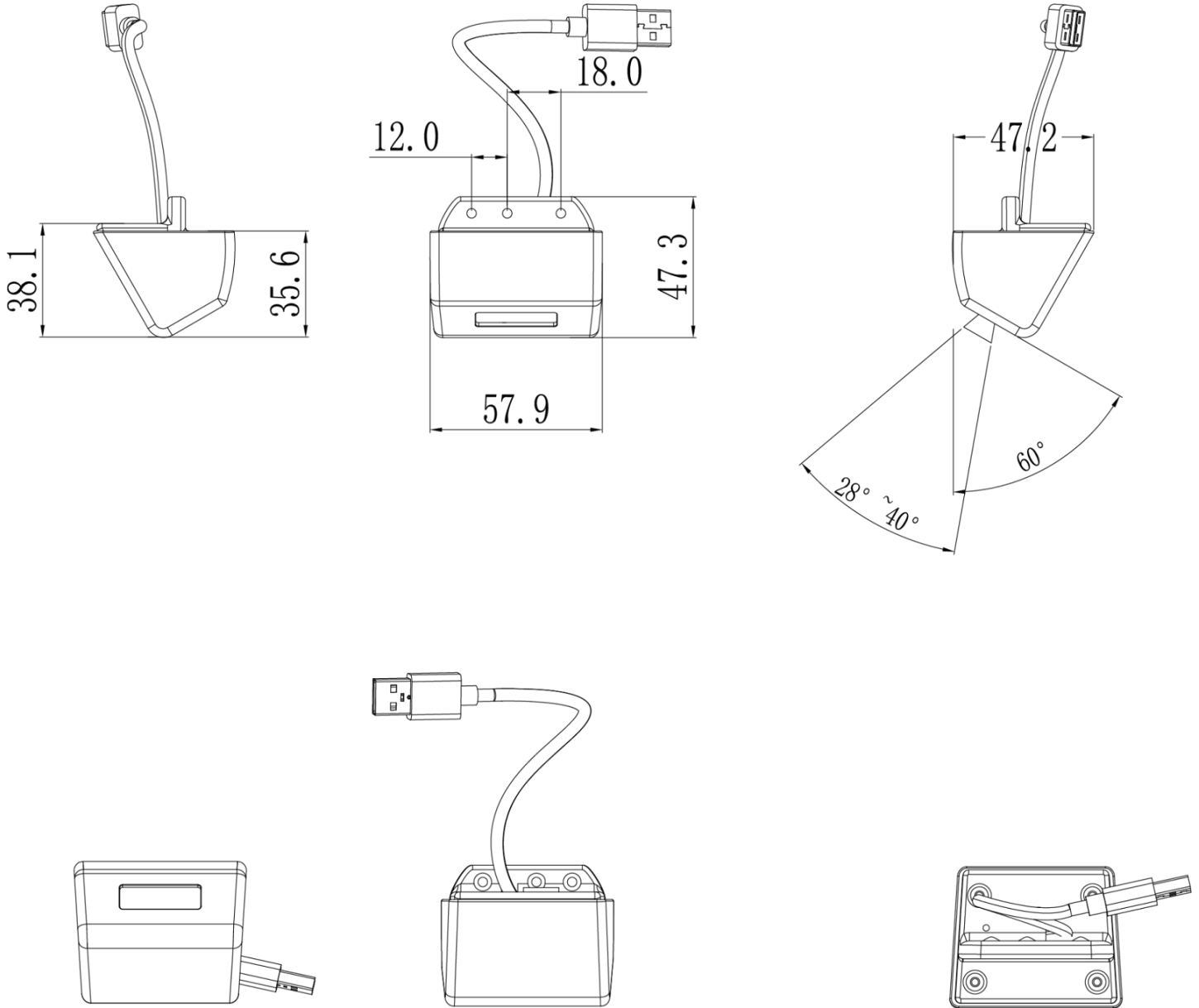
The Zebra Barcode is a 2D engine that provides flexibility to any kind of applications such as data collection and price checkers. Mostly used to open a browser upon scan or to open a page in an app. Glory Star provides a Demo APK to support your software integration to our tablets. The barcode is easily installed by users, providing an integrated solution and eliminating the need for external brackets or attachments.

NEBA1702 - 2D Barcode Scanner Specification

Brand	Zebra
Reader Type	2D barcode reader
Barcode engine	SE2707
Enclosure color	Black
Support OS	Android/ Windows/ Linux
Sensor resolution	640 x 400
Field of View (FOV)	42.0° horizontal, 28.0° vertical
Focusing Distance from Front of Engine	194mm / 7.64 inches
LED Aiming Element	Wavelength 610nm LED
Scan Distance	<p>5 mil Code 39: Near Distance: 2.0 in / 5.1 cm ; Far Distance: 6.4 in / 16.2 cm</p> <p>5 mil Code 128: Near Distance: 2.5 in / 6.3 cm ; Far Distance: 5.0 in / 12.7 cm</p> <p>6.6 mil PDF417: Near Distance: 2.5 in / 6.3 cm ; Far Distance: 6.3 in / 16.0 cm</p> <p>10 mil PDF417: Near Distance: 1.8 in / 4.5 cm* ; Far Distance: 9.0 in / 22.8 cm</p> <p>13 mil 100% UPC: Near Distance: 2.0 in / 5.0 cm* ; Far Distance: 12.5 in / 31.7 cm</p> <p>20.0mil Code 39: Near Distance: 2.0 in / 5.0 cm* ; Far Distance: 19.5 in / 49.5 cm</p> <p>20 mil Data Matrix: Near Distance: 1.5 in / 3.8 cm ; Far Distance: 13.5 in / 34.3 cm</p> <p>20 mil QR Code: Near Distance: 1.5 in / 3.8 cm ; Far Distance: 11.0 in / 27.9 cm</p>
Supported Symbologies	<p>2D: PDF417, MicroPDF417, Code 128 Emulation, Data Matrix, GS1 Data Matrix, Data Matrix Inverse, Decode Data Matrix Mirror Images, Maxicode, QR Code, GS1 QR, MicroQR, Aztec, Aztec Inverse, Han Xin, Han Xin Inverse, Grid Matrix, Grid Matrix Inverse, Grid Matrix Mirrored</p> <p>Postal Codes: US Postnet, US Planet, Transmit US Postal Check Digit, UK Postal, Transmit UK Postal Check Digit, Japan Postal, Australia Post, Australia Post Format, Netherlands KIX Code, USPS 4CB/One Code/Intelligent Mail, UPU FICS Postal, Mailmark</p> <p>1D: UPC/EAN/JAN, Code 128, Code 39, Code 93, Code 11, Interleaved 2 of 5 (ITF), Discrete 2 of 5 (DTF), Codabar (NW - 7), MSI, Chinese 2 of 5, Matrix 2 of 5, Korean 3 of 5, Inverse 1D, GS1 DataBar</p>
Ambient Light	Max 107,639 lux (direct sunlight)
Operating Temperature	-20°C ~ + 50°C
Storage temperature	-40°C ~ + 70°C
Humidity	Operating: 95% RH, non-condensing at 50° C Storage : 85% RH, non-condensing at 70° C
Voltage	5V
Barcode Working mode	USB virtual serial port mode, USB virtual keyboard mode
Product Weight	67g
Product Dimensions	57.85 x 47.29 x 47.15mm
What's in the Box	barcode reader, 2 Screws
Gift Box Weight	99g
Gift Box Dimensions	140 x 83 x 44mm

Compatible Touchscreen Model	
	Nebula Generation 1 Series
	Nebula Generation 2 Series
	Nebula Plus Series
	Nebula Lite Series
	Nebula Glow Series
	Ultron Celeron 4205U Series
	Ultron Celeron J1900 Series
	Ultron i3-8145U Series
	Ultron i5-10210U

2D Diagram



CONTACT US

United States	Hong Kong	ShenZhen
Representative Office 101 Hudson St., 21st Floor Jersey City, NJ 07302 USA	Flat D, 5/F, Excelsior Building, 364 Nathan Road, Kowloon, Hong Kong	Bldg 9, 4/F Zhong Yuntai Technology Industrial Park, Tangtou No.1 Road, Shiyan Street, Baoan, ShenZhen, PRC
626 228 5927	852 23762803	86 755 2600 1808
sales@glorystargroup.com	sales@glorystargroup.com	sales@glorystargroup.com

To find out more about our extensive range of Glory Star solutions, go to www.glorystargroup.com, or call the office nearest you. For more information, please contact us at sales@glorystargroup.com. Glory Star reserves the right to change or update, without notice, any information contained herein; to change, without notice, the design, construction, materials, processing or specifications of any products; and to discontinue or limit production or distribution of any products. Glory Star, the Glory Star logo, STAR CONTROL and STAROS are either trademarks or registered trademarks of Glory Star Group Limited. All other trademarks are the property of their respective owners.