



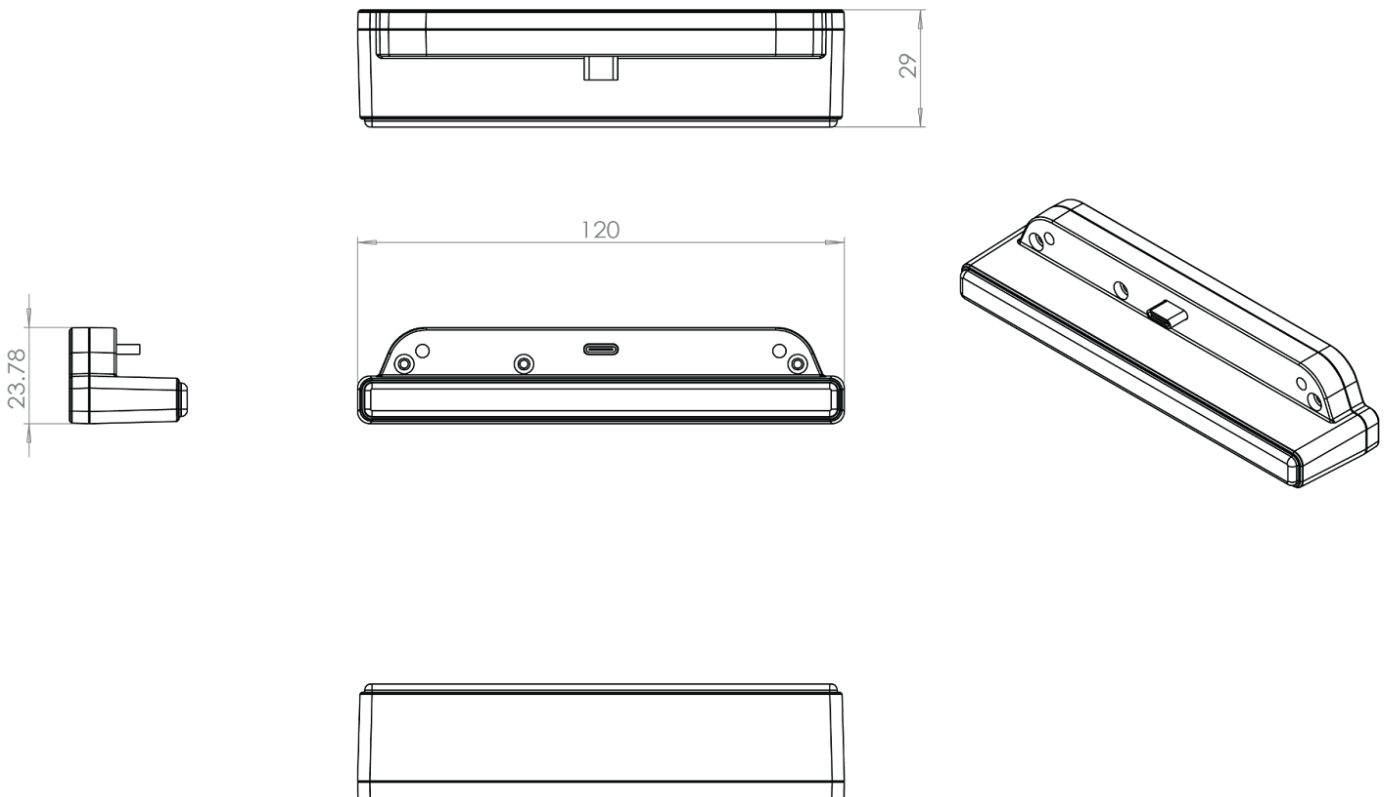
NEBA1706 - LED Light

The Glory Star colored status bar can be easily plugged into the 4 edges of Nebula Plus through USB-C ports allowing you the flexibility to position the status bars with colors in Red, Green, Yellow. Available for conference room, self checkout lane readiness. Glory Star provides you a Demo APK, a set of APIs allowing you to control the status lights to your software.

NEBA1706 - LED Light Specifications

Enclosure Colour	Black
Compatibility	NEB101
Lens Material	Polycarbonate
Interface	USB-C (For NEB101 only)
LED	Red/Green/Yellow
Mounting option	Landscape/Portrait
Power input	5V, 130mA
Product Weight	32g
Dimensions	120 x 29 x 23.7mm
Gift Box Weight	64g(for 1 LED Light) 96g(for 2 LED Lights)
Gift Box Dimensions	140 x 83 x 44mm
What's in the Box	1 or 2 LED lights, 2 Screws

2D Diagram



CONTACT US

United States	Hong Kong	ShenZhen
Representative Office 101 Hudson St., 21st Floor Jersey City, NJ 07302 USA	Flat D, 5/F, Excelsior Building, 364 Nathan Road, Kowloon, Hong Kong	Bldg 9, 4/F Zhong Yuntai Technology Industrial Park, Tangtou No.1 Road, Shiyan Street, Baoan, ShenZhen, PRC
626 228 5927	852 23762803	86 755 2600 1808
sales@glorystargroup.com	sales@glorystargroup.com	sales@glorystargroup.com

To find out more about our extensive range of Glory Star solutions, go to www.glorystargroup.com, or call the office nearest you. For more information, please contact us at sales@glorystargroup.com. Glory Star reserves the right to change or update, without notice, any information contained herein; to change, without notice, the design, construction, materials, processing or specifications of any products; and to discontinue or limit production or distribution of any products. Glory Star, the Glory Star logo, STAR CONTROL and STAROS are either trademarks or registered trademarks of Glory Star Group Limited. All other trademarks are the property of their respective owners.