



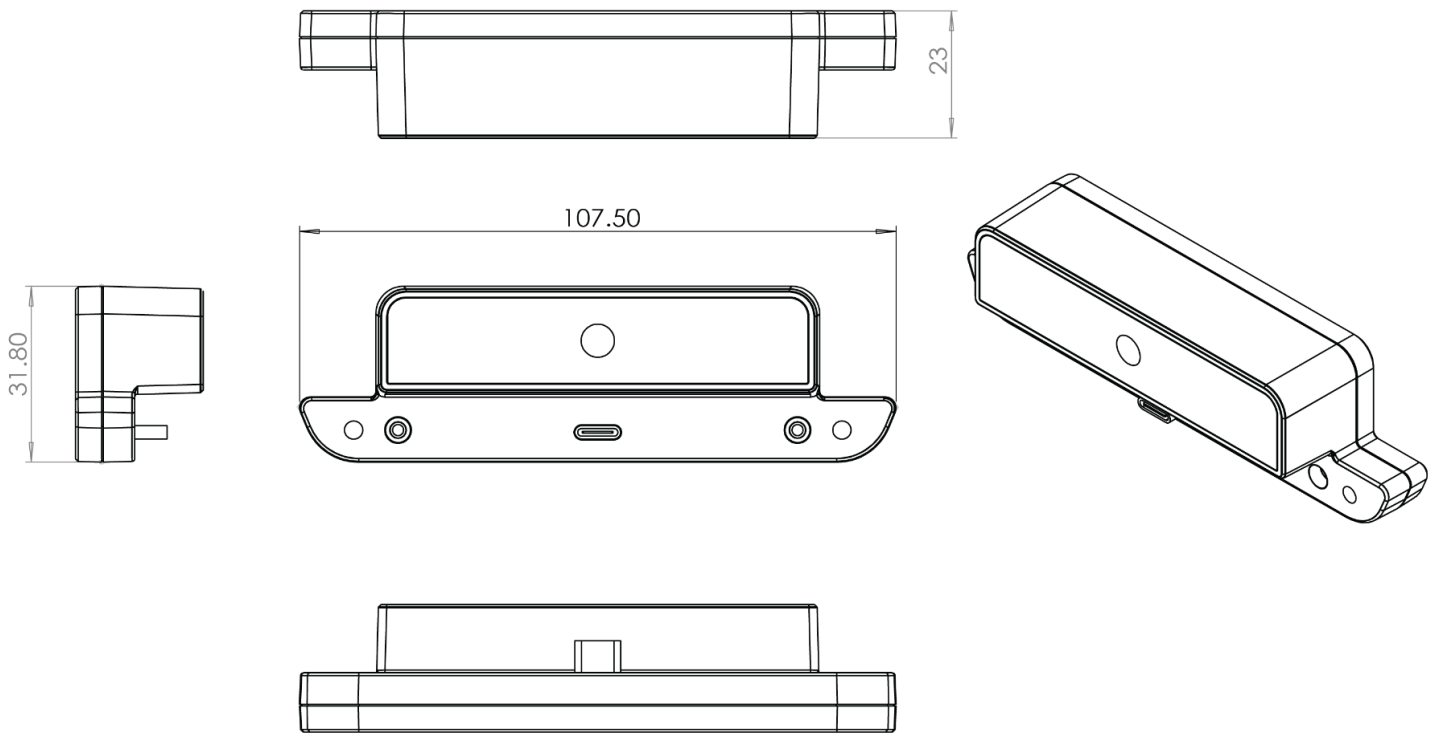
NEB1706 - Single 5MP Camera

Ability to change different cameras through the Type C module port. You can attach the 5MP camera module to video conferences.

NEB1706 - Single 5MP Camera

Output video format	MJPEG/YUV
Focus distance	15mm
Microphone	none
Interface	USB C
Sensor type	(1/2.5")
Array size	2592*1944
Sensitivity	1.1V/(Lux * sec)
Pixel size	3µm x 3µm
Maximum image transfer rate	30fps 1080p
Dynamic range	110DB
F/No	2.0
Effective Focal Length	4.01mm
Field of View	80°
TV Distortion	<-0.2%
IR Filter	650/850+/-10nm
Product Weight	34g
Product Dimension	107.5 x 31.8 x 23mm
Gift Box Weight	66g
Gift Box Dimension	140 x 83 x 44mm

2D Diagram



CONTACT US

United States	Hong Kong	Europe
Representative Office 1440 N. Harbor Blvd Suite 900 Fullerton, CA 92835	Flat D, 5/F, Excelsior Building, 364 Nathan Road, Kowloon, Hong Kong	Weierstrasse 2 8564 Hattenhausen Switzerland
626 228 5927	852 23762803	44 20 3885 0392 (UK) 41 79 279 9798 (Switzerland)
sales@glorystargroup.com	sales@glorystargroup.com	sales@glorystargroup.com

To find out more about our extensive range of Glory Star solutions, go to www.glorystargroup.com, or call the office nearest you. For more information, please contact us at sales@glorystargroup.com. Glory Star reserves the right to change or update, without notice, any information contained herein; to change, without notice, the design, construction, materials, processing or specifications of any products; and to discontinue or limit production or distribution of any products. Glory Star, the Glory Star logo, STAR CONTROL and STAROS are either trademarks or registered trademarks of Glory Star Group Limited. All other trademarks are the property of their respective owners.