



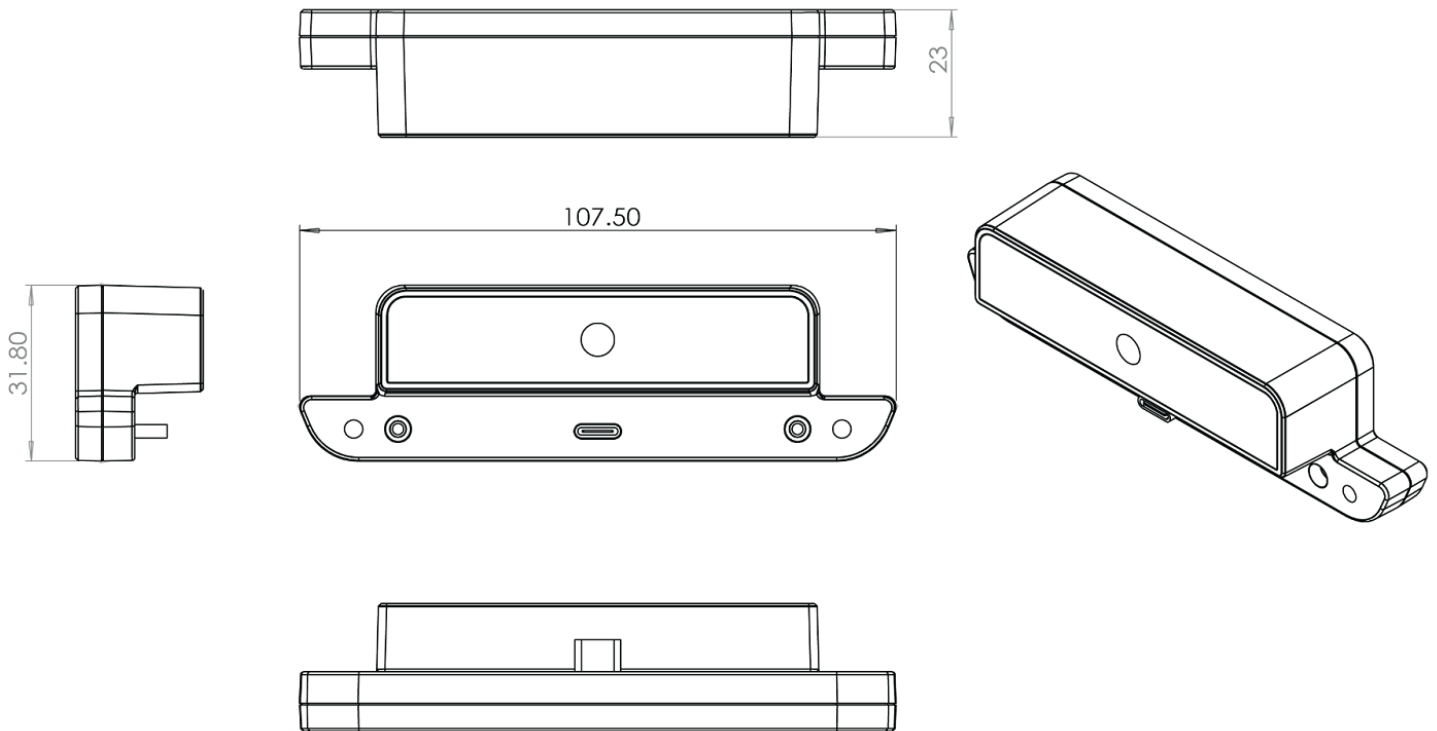
NEBA1706 - Single 5MP Camera

Ability to change different cameras through the Type C module port. You can attach the 5MP camera module to video conferences. For more detail for development please refer to the demo apk.

## NEBA1706 - Single 5MP Camera

Output video format	MJPEG/YUV
Focus distance	15mm
Microphone	none
Interface	USB C
Sensor type	(1/2.5")
Array size	2592*1944
Sensitivity	1.1V/(Lux * sec)
Pixel size	3 $\mu$ m $\times$ 3 $\mu$ m
Maximum image transfer rate	30fps 1080p
Dynamic range	110DB
F/No	2.0
Effective Focal Length	4.01mm
Field of View	80°
TV Distortion	<-0.2%
IR Filter	650/850+/-10nm
Product Weight	34g
Product Dimension	107.5 x 31.8 x 23mm
Gift Box Weight	66g
Gift Box Dimension	140 x 83 x 44mm

## 2D Diagram



## CONTACT US

United States	Hong Kong	ShenZhen
<b>Representative Office</b> 101 Hudson St., 21st Floor Jersey City, NJ 07302 USA	Flat D, 5/F, Excelsior Building, 364 Nathan Road, Kowloon, Hong Kong	Bldg 9, 4/F Zhong Yuntai Technology Industrial Park, Tangtou No.1 Road, Shiyuan Street, Baoan, ShenZhen, PRC
626 228 5927	852 23762803	86 755 2600 1808
<a href="mailto:sales@glorystargroup.com">sales@glorystargroup.com</a>	<a href="mailto:sales@glorystargroup.com">sales@glorystargroup.com</a>	<a href="mailto:sales@glorystargroup.com">sales@glorystargroup.com</a>

To find out more about our extensive range of Glory Star solutions, go to [www.glorystargroup.com](http://www.glorystargroup.com), or call the office nearest you. For more information, please contact us at [sales@glorystargroup.com](mailto:sales@glorystargroup.com). Glory Star reserves the right to change or update, without notice, any information contained herein; to change, without notice, the design, construction, materials, processing or specifications of any products; and to discontinue or limit production or distribution of any products. Glory Star, the Glory Star logo, STAR CONTROL and STAROS are either trademarks or registered trademarks of Glory Star Group Limited. All other trademarks are the property of their respective owners.