



15 inch

21 inch

Glory Star Touchless Tablet Series has integrated the world's leading hand tracking technology Leap Motion Controller. It captures the movement of users hands and fingers so that they can interact naturally with digital contents. ULTRON Touchless is capable of tracking hands within a 3D interactive zone that extends up to 60 cm ( 24") or more, extending from the device in a 140x120° typical field of view. The software is able to discern 27 distinct hand elements, including bones and joints, and track them even when they are obscured by other parts of the hand.

#### Example applications

- Touchless public interfaces (interactive kiosks, digital out-of-home, elevators)
- Entertainment (location-based VR/AR experiences, arcades, amusement parks)
- Healthcare (stroke rehabilitation, training, mirror, medical imaging, lazy eye treatment)
- Therapy and education (anatomic visualizations, hands-on learning)
- Personnel training (flight simulators, complex computer systems)
- Industrial design and engineering (automotive, assembly lines, facilities management)
- Robotics (telepresence, robotic controls, AI-assisted teaching)
- Remote collaboration

**Robust and safety compliant** Touchless Tablets are certified compliant to safety and electrical regulatory standards. Its robustness and external certification enable commercial projects, including sterile environments.

**Easy to integrate and use** Touchless Tablets are designed for simple integration into customer applications and can be retro-fitted to existing concepts or hardware.

**Our TouchFree application** detects a user's hand in mid-air and converts it to an on-screen cursor, allowing touchscreen interfaces to be retrofitted with touchless gesture control.

## PRODUCT HIGHLIGHTS

- Touchless motion control
- Window system with i5 CPU
- Robust and reliable skeletal model
- Motion to photon latency below the human perception threshold
- Interaction Zone Depth - depth between 10cm to 60cm preferred, up to 80 cm maximum
- Field of View- 140 x 120 degree typical field of view



Wifi



Windows



Motion Controller



Robust and reliable skeletal model



Motion-to-photon latency below the human perception threshold

## Touchless Tablet Series

### 15.6" / 21.5" (i5-8265U)

		i5-8265U	
Model number		ULT156 PART#8265U	ULT215 PART#8265U
Screen size		15.6"	21.5"
Panel info.	Resolution	1920 x 1080	1920 x 1080
	Brightness	250 cd/m2	250 cd/m2
	Contrast ratio	1000:1	1000:1
	Aspect Ratio	16:9	16:9
	Active Display Area	344.16 x 193.59mm	476.06 x 267.786mm
	Viewing angle	H: 178°/V:178°	H:178°/ V:178°
	Touch Tech.	5 point cap touch	
	CPU & System	CPU	i5-8265U
	Base Frequency	1.6 GHz	
	CPU Turbo Boost	3.9 GHz	
	CPU Cache	6 MB	
	BIOS	AMI 16MB UEFI BIOS	
RAM	RAM	8GB, Dual Channel 2 x DDR4 2400 MHz (Max 32GB)	
ROM	Storage	SATA3.0 256GB SSD	
Software	OS	Win 8/8.1/10 64bit(Optional), Linux 32 / 64 bit (Default OS : Window 10 IoT Enterprise LTSC 2019 english version 64 bit)	
Display	GPU chipset	Intel HD Graphics 610 / 620 (Based on CPU)	
	Camera	Front Facing Camera 5 MP fixed focus	
	Display port	DP 1.2	
	HDMI	HDMI 1.4	
Audio	Codec	Realtek HD ALC662	
	Speaker	3W x2	
Ethernet	Controller	Intel i211 – 10/100/1000Mbps	
	Connector	2 x RJ45	
	Wake on LAN	Yes	
	Wifi/Bluetooth	IEEE 802.11a/b/n/ac, Wi-Fi compliant , Bluetooth 4.0	
Storage	Slot	1x M.2 for 4G , 2x SATA3.0(only 1 SATA3.0 for 4205U)	
		1 x Sim card slot	
Motion controller	Camera interface	Experimental Universal Video Class (UVC) release provides access to low-level controls such as LED brightness, gamma, exposure, gain, resolution, etc.; examples in C, Python, and Matlab, as well as OpenCV bindings	
	Data connection	USB 2.0	
	Interaction zone	Depth of up to 40cm (16") preferred, 140x120° typical field of view	
	Camera	Two 640x240-pixel near-infrared cameras	
	LED	3	
Housing and button	Material & color	Metal housing with Matte black paint	
	Button	Metal power button and reset button in silver color with blue light (only power button in 10inch tablet)	
Rear Panel I/O	USB 2.0	1	
	USB 3.0	3	
	Audio	Line-out x 1; Mic-in x 1	

	LAN	1(10/100/1000Mbps)	
	HDMI	1 (HDMI1.4)	
	Display port	1(DP1.2)	
I/O header (inside PCBA)	COM	5 x RS232 / 1 x RS485 (inside PCBA)	
	USB2.0	3 x USB2.0 header (inside PCBA)	
	I/O	8 x GPIO (inside PCBA)	
	PS/2	1 x PS2_H (inside PCBA)	
	LPT	1 x LPT (inside PCBA)	
Power	Standard Port	1 x 12V DC-IN	
Hardware monitor	Sensor	CPU temperature sensor; Voltage sensor; Watchdog; Plug and Start	
	Included in Box	Ultron tablet, Power Adaptor, Power cable	
	Consumption	15W	36W
	Power input	12V 1.25A	12V 3A
	Operating Environment	Operating: 32°F to 104°F (0°C to 40°C); Storage: -4°F to 122°F (-20°C to 50°C) Operating: 20%-80%; Storage: 10%-95%	
	Language	Multi language	
	VESA	VESA 100	
Dimension		<b>Device dimension</b>	<b>Bracket dimension</b>
	Size(W x D x H )	<b>15.6 inch:</b> 392 x 249 x 43mm	297 x 175 x 145mm
		<b>21.5 inch:</b> 530 x 322 x 43mm	
	Product Weight	<b>15.6 inch:</b> 4.05kg	0.8kg
		<b>21.5 inch:</b> 6.7kg	
	Gift Box Size	<b>15.6 inch:</b> 443 x 115 x 303mm	307 x 185 x 155mm
		<b>21.5 inch:</b> 583 x 115 x 382mm	
	Master Carton size	<b>15.6 inch:</b> 460 x 365 x 327mm	307 x 185 x 155mm
		<b>21.5 inch:</b> 604 x 248 x 406mm	
	Master Carton Weight	<b>15.6 inch:</b> 14kg	1.2kg
		<b>21.5 inch:</b> 16.3kg	
Units per Master Carton	<b>15.6 inch:</b> 3pcs	1	
	<b>21.5 inch:</b> 2pcs		

## Options information

Option	Type	Remarks
<b>4G module</b>	Mini-PCI-e add-on	GSM / GPRS / EDGE 850 / 900 / 1800 / 1900 MHz
<b>RAM</b>	Extra RAM	8/16(MAX)
<b>SSD</b>	SATA3.0 / M.2 2280	512/1TB
<b>Barcode module</b>	USB accessories	1D barcode/ 2D barcode
<b>RFID / NFC module</b>	USB accessories	ISO 14443 T=CL, T=CL, 1K/4K, ISO 18092(need to check)

Leap Motion User Manual

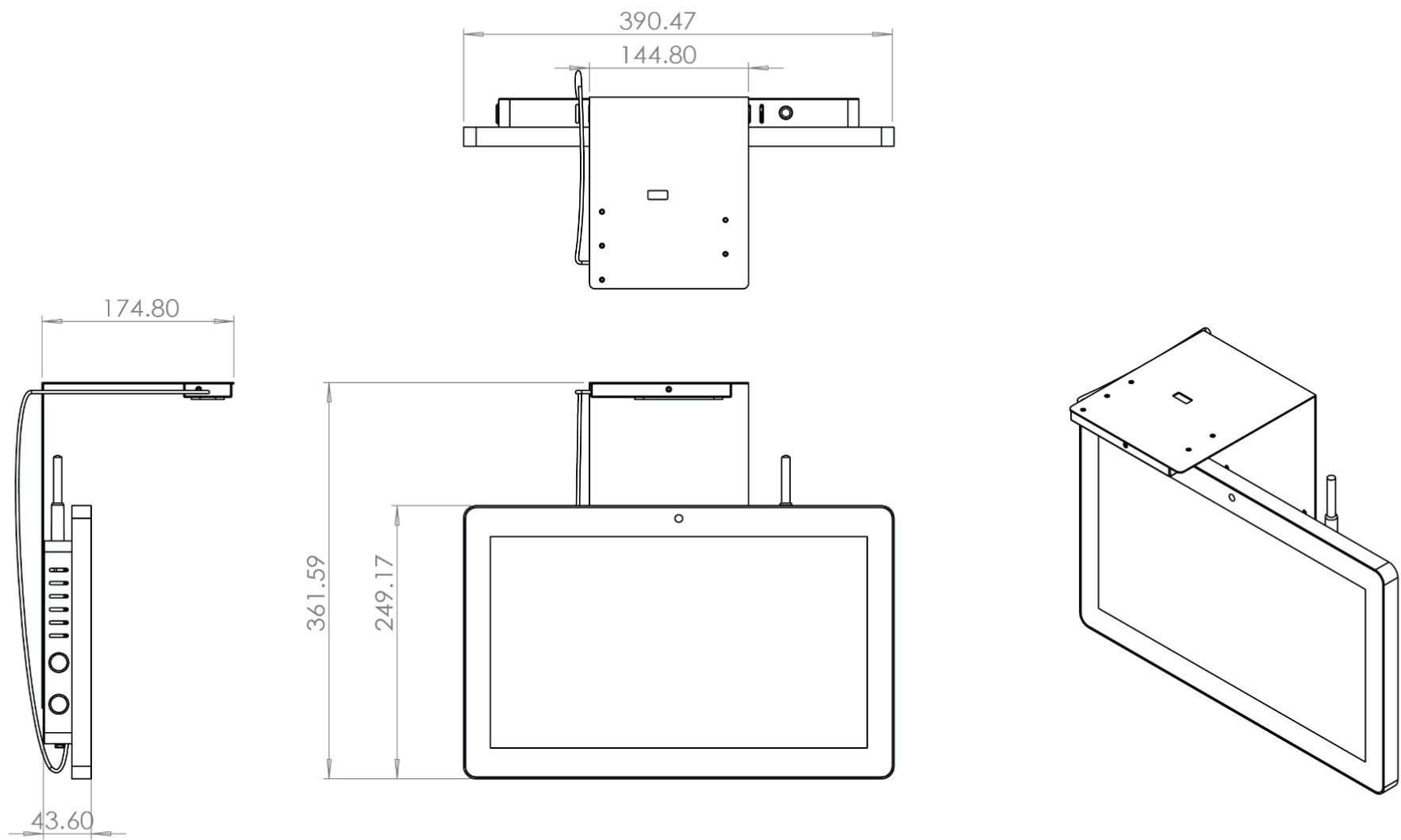
<https://docs.ultraleap.com/touchfree-user-manual/>

Leap Motion SDK

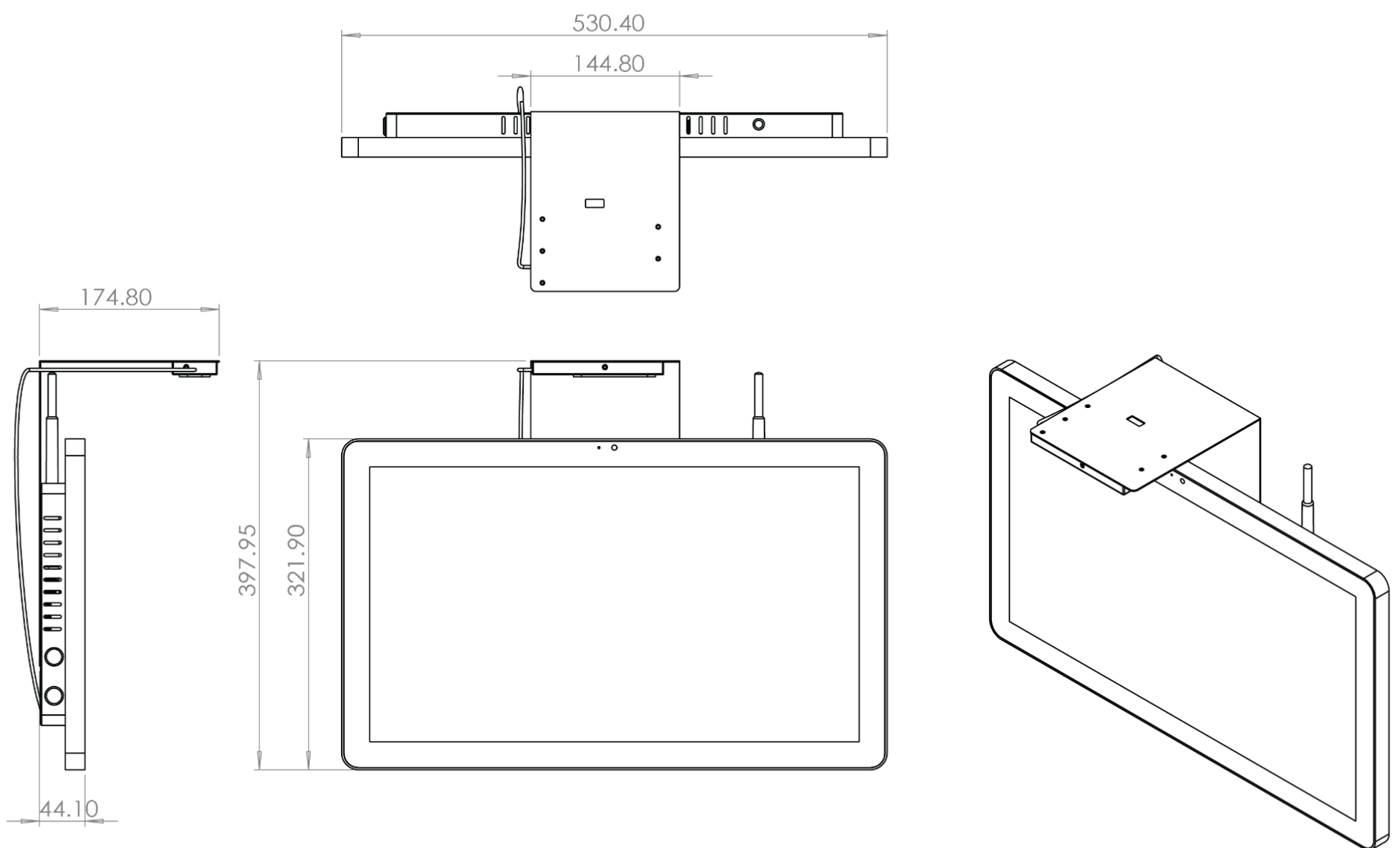
<https://developer.leapmotion.com/sdk-leap-motion-controller/>

**LEAP**  
M O T I O N

**15 inch technical drawing**



## 21 inch technical drawing



## CONTACT US

United States	Hong Kong	Europe
<b>Representative Office</b> 1440 N Harbor Blvd Suite 900 Fullerton CA 92835 California,	<b>Flat D, 5/F, Excelsior Building,</b> <b>364 Nathan Road,</b> <b>Kowloon, Hong Kong</b>	<b>Weiherstrasse 2</b> <b>8564 Hattenhausen</b> <b>Switzerland</b>
<b>Representative</b> <b>New York, USA</b>		
626 228 5927	852 23762803	44 20 3885 0392 (UK) 41 79 279 9798 (Switzerland)
<a href="mailto:sales@glorystargroup.com">sales@glorystargroup.com</a>	<a href="mailto:sales@glorystargroup.com">sales@glorystargroup.com</a>	<a href="mailto:sales@glorystargroup.com">sales@glorystargroup.com</a>

To find out more about our extensive range of Glor Star solutions, go to [www.glorystargroup.com](http://www.glorystargroup.com) , or call the office nearest you. For more information, please contact us at [sales@glorystargroup.com](mailto:sales@glorystargroup.com). Glory Star reserves the right to change or update, without notice, any information contained herein; to change, without notice, the design, construction, materials, processing or specifications of any products; and to discontinue or limit production or distribution of any products. Glory Star, the Glory Star logo, STAR CONTROL and STAROS are either trademarks or registered trademarks of Glory Star Group Limited. All other trademarks are the property of their respective owners.